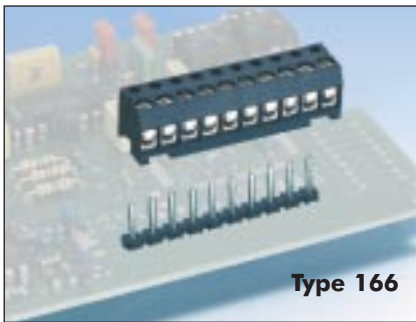
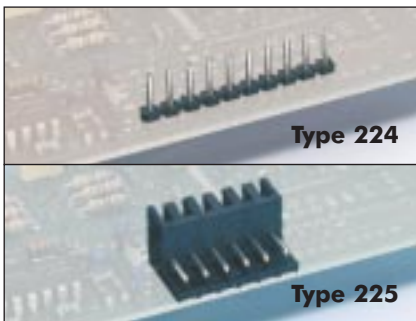
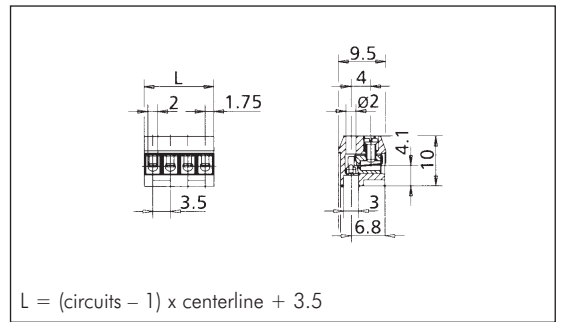


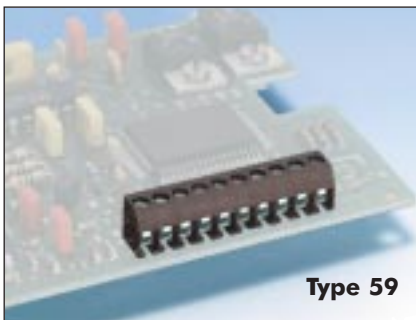
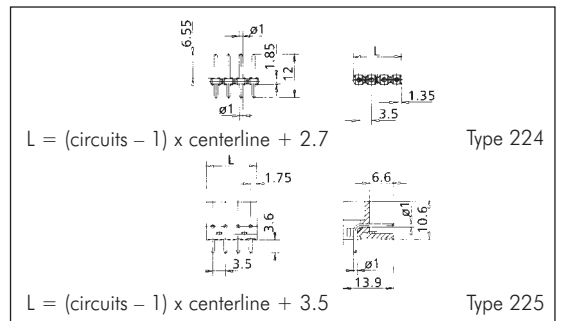
BULGIN Ria Terminal Blocks and Strips



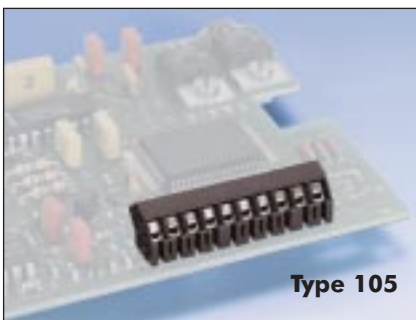
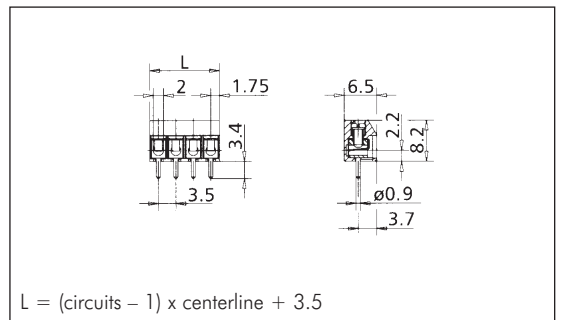
- 3.5mm Spacing (Pitch)
- 8A, 125V UL
- 5A, 125V VDE
- UL94V-0 Housing
- Stamped Female Contacts
- With Wire Protection
- Mates with 224 & 225 Series Headers
- UL, CSA and SEV Approvals
- Designed to VDE 0110



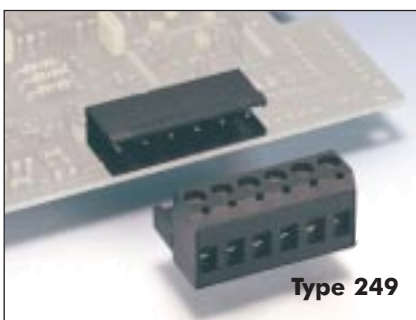
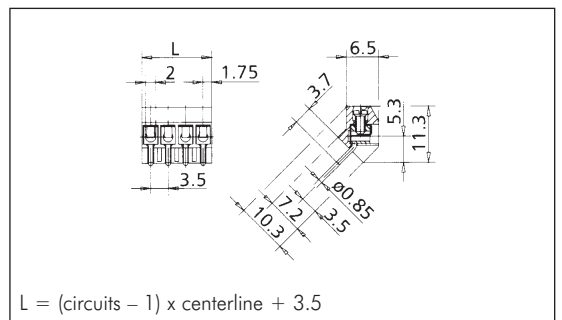
- 3.5mm Spacing (Pitch)
- 15A, 300V UL
- 6A, 125V VDE
- UL94V-0 Housing
- Pin Dia. 1.0mm Mating and Solder
- 224 - Vertical
- 225 - Horizontal
- UL, CSA and SEV Approvals
- Designed to VDE 0110



- 3.5mm Spacing (Pitch)
- 10A, 300V UL
- 6A, 160V VDE
- UL94V-0 Housing
- With Wire Protection
- UL, CSA and SEV Approvals
- Designed to VDE 0110



- 3.5mm Spacing (Pitch)
- 10A, 300V UL
- 6A, 160V VDE
- UL94V-0 Housing
- 45° Wire Entry
- With Wire Protection
- UL, CSA and SEV Approvals
- Designed to VDE 0110



- 5.08mm Spacing (Pitch)
- 12A, 300V UL
- 12A, 250V VDE
- UL94V-0 Housing
- With Lift System
- Mates With 219 & 229 Series Headers
- UL, CSA and SEV Approvals
- Designed to VDE 0110

