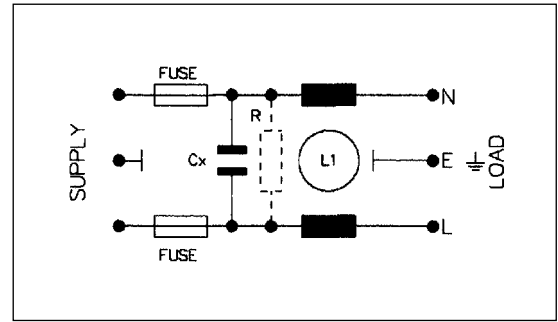


C14 Inlet Twin Fuse - Medical Filter

EMI FILTER OPTIONS

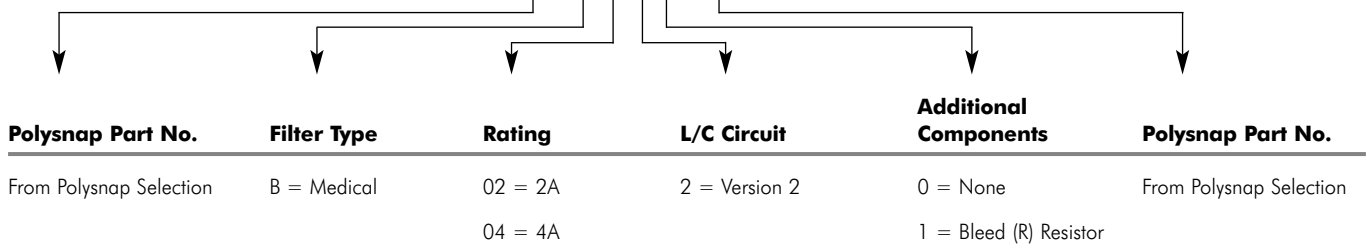


- For Polysnap modules BZV15, BZV16, BZH13, BZH14, BZH15, BZH16, BZH21, BZH22, BVA15, BVA16, BVB15, BVB16
- PF0033 style twin fuse IEC inlet
- Using PS26/B style filter
- Medical Attenuation Filter



IEC CONNECTORS

**Bxxxx/Bxx xx / xx**



Rating	Version	L1	Cx
2 AMP	1		
"	2	2 x 1.8mH	1 x 15nF
"	3		
4 AMP	1		
"	2	2 x 0.7mH	1 x 15nF
"	3		

**Part No. Example**

**BZH15/B0221/01 =**  
 BZH style Polysnap module with PF0033 twin fused (5 x 20mm) IEC power inlet, filter rated at 2 amp, L/C circuit version 2 (L1 = 2 x 1.8mH, Cx = 1 x 15nF), with bleed resistor fitted, 6.3mm tabs and single pole switch.

**Filter Specification**

Max. Working Voltage:	250V a.c. 50-400Hz
Max. Power Dissipation:	2.5W per fuse
Earth Leakage Current:	<100µA (typically 5µA 250V. 50Hz)
Temperature Range:	-25°C to +85°C
Max. Ambient Temp.: (@ Full Load)	40°C (derate linearly to 0A @ 85°C)
Test Voltage:	2700V d.c. 2 secs. Lines to Earth 1100V d.c. 2 secs. Live to Neutral



Attenuation Curves: See PS26/B filter, page 135

**Rating & Version Table**  
**PS25/Bxx2x/xx00 & PS26/Bxx2x/xxxx**

Rating	Version	L1	Cx
2 AMP	1	2 x 1.8mH	1 x 15nF
"	2		
"	3		
4 AMP	1	2 x 0.7mH	1 x 15nF
"	2		
"	3		

**Version 2**

