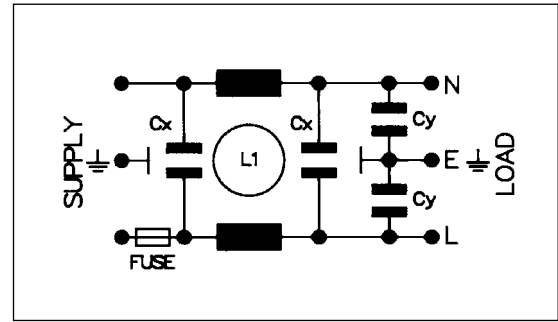


C14 Inlet Single Fuse - High Performance Filter

EMI FILTER OPTIONS



- For Polysnap modules BZV01, BZV02, BZH01, BZH02, BZH11, BZH12, BZH19, BZH20, BVA01, BVA02, BVB01, BVB02
- PF0011 style single fuse IEC inlet
- Using PS23/A style filter
- High Performance Attenuation Filter



Bxxx/Cxx xx / xx

Polysnap Part No.	Filter Type	Rating	L/C Circuit	Additional Components	Polysnap Part No.
From Polysnap Selection	C = High Performance	03 = 3A 06 = 6A	3 = Version 3	0 = None	From Polysnap Selection

Rating	Version	L1	Cx	Cy	Part No. Example
1 AMP	1				BZV01/C0330/01 = BZV style Polysnap module with PF0011 single fused (5 x 20mm) IEC power inlet, filter rated at 3 amps, L/C circuit version 3 (L1 = 2 x 1.8mH, Cx = 2 x 47nF, Cy = 2 x 2.2nF), 6.3mm tabs and single pole switch.
"	2				
"	3				
3 AMP	1				
"	2				
"	3	2 x 1.8mH	2 x 47nF	2 x 2.2nF	
6 AMP	1				
"	2				
"	3	2 x 0.7mH	2 x 47nF	2 x 2.2nF	
10 AMP	1				
"	2				
"	3				

Filter Specification

Max. Working Voltage:	250V a.c. 50-400Hz
Earth Leakage Current:	<0.35mA (250V. 50Hz)
Temperature Range:	-25°C to +85°C
Max. Ambient Temp.: (@ Full Load)	40°C (derate linearly to 0A @ 85°C)
Test Voltage:	2700V d.c. 2 secs. Lines to Earth 1100V d.c. 2 secs. Live to Neutral
Approvals:	
Attenuation Curves:	See PS23/A filter, page 131

Rating & Version Table
PS22/Axx30/xx00 & PS23/Axx30/xxxx

Rating	Version	L1	Cx	Cy
3 AMP	1			
"	2			
"	3	2 x 1.8mH	2 x 47nF	2 x 2.2nF
6 AMP	1			
"	2			
"	3	2 x 0.7mH	2 x 47nF	2 x 2.2nF

Version 3

