

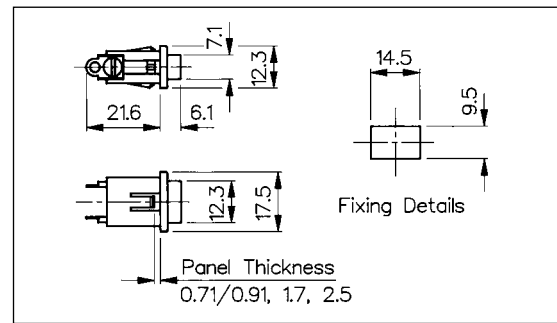
Push Button

FRONT PANEL MOUNTING



**MP0022/Col**

- S.P. Push to Make
- Solder Tags
- Nylon Body & Button

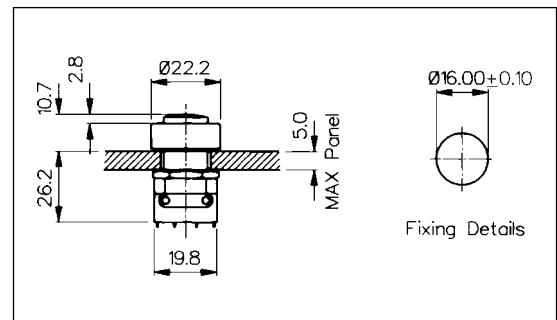


FRONT PANEL MOUNTING



**SX0904/Col**  
(Sealed to IP66)

- Front Panel Sealed to IP66
- S.P.C.O. Microswitch
- Solder Tags
- 5A, 250V a.c.
- Black Anodised Aluminium Body
- Black, red or green Buttons



Specification	MP0022/Colour	SX0904/Colour
Terminations:	Solder Tags	Solder Tags
Switching:	S.P. Push to Make Slow Momentary Action	S.P.C.O. Momentary Action (Microswitch)
Max. Rating:	0.25A. 250V a.c., 0.5A. 110V a.c., 1A. 0.1 to 28V a.c./d.c.	5A. 250V a.c.
Contact Resistance:	<15mΩ	<10mΩ
Insulation Resistance:	>10 <sup>4</sup> MΩ	>10 <sup>3</sup> MΩ.
Dielectric Strength:	>2.5kV a.c.	>2.0kV a.c.
Operating Temp. Range:	-20°C to +70°C	-20°C to +70°C
Sealing:		Protection Classification IP66 EN60529 1992 (Microswitch not sealed)
Materials:		
Moulding:	Nylon	Glass Filled Nylon
Tags:	Brass, Silver Plated	Brass, Tin Plated
Body:	Nylon	Black anodised aluminium
Contacts/Terms:	Brass, Silver Plated	Fine Silver
Variants:	Button Colours: Standard - Black, /WH (White) and /RD (Red). /TERM - (Screw terminals)	Button Colours: Standard - Black, /RD (Red) and /GN (Green).
RoHS	Compliant	Compliant