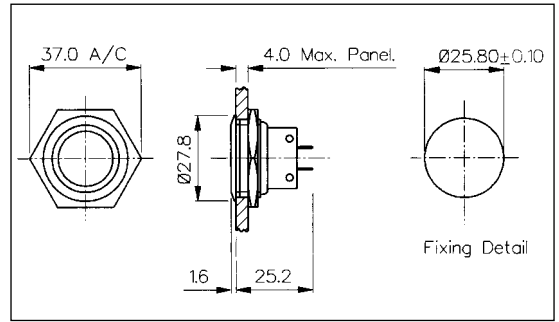


**Stainless Steel Low Profile Vandal Resistant - Latching**

**FRONT PANEL MOUNTING**



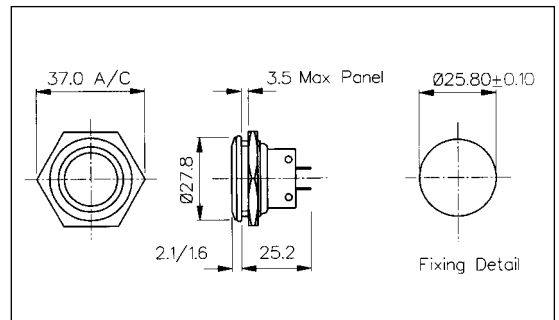
- 28mm diameter
- 2A, 50V
- Single pole push to make
- Latching switch



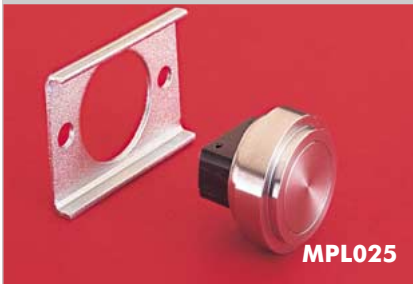
**FRONT PANEL MOUNTING**



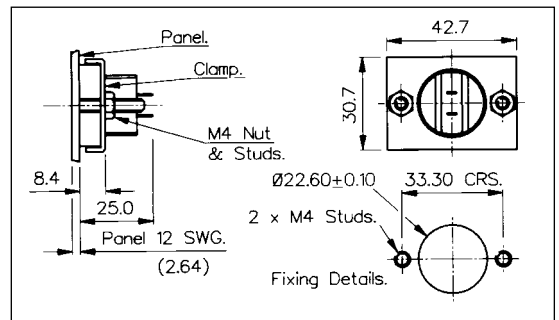
- Front Panel Sealed to IP66
- 28mm diameter
- 2A, 50V
- Single pole push to make
- Latching switch



**REAR PANEL MOUNTING**



- 22mm diameter
- 2A, 50V
- Single pole push to make
- Latching switch



Specification	MPL027	MPL038	MPL025
Terminations:	Solder Tags	Solder Tags	Solder Tags
Switching:	S.P.M.B. - Latching	S.P.M.B. - Latching	S.P.M.B. - Latching
Max. Rating:	2A, 50V	2A, 50V	2A, 50V
Contact Resistance:	<10mΩ	<10mΩ	<10mΩ
Insulation Resistance:	>10 <sup>3</sup> MΩ	>10 <sup>3</sup> MΩ.	>10 <sup>3</sup> MΩ
Dielectric Strength:	>2.0kV a.c.	>2.0kV a.c.	>2.0kV a.c.
Operating Temp. Range:	-20°C to +70°C	-20°C to +70°C	-20°C to +70°C
Sealing (Front of panel only):		Protection Classification: IP66 EN60529 1992 (Switch not sealed)	
Operations			
Mechanical:	8,000 (min)	8,000 (min)	8,000 (min)
Electrical:	8,000 (min)	8,000 (min)	8,000 (min)
Operating Pressure:	5.5N (typ)	5.5N (typ)	5.5N (typ)
Rear Nut Fixing Torque:	2.5Nm	1.13Nm	-
Materials			
Mouldings:	Glass Filled Nylon	Glass Filled Nylon	Glass Filled Nylon
Tags/Terminations:	Brass, Tin Plated	Brass, Tin Plated	Brass, Tin Plated
Switch Body & Button:	Stainless Steel	Stainless Steel	Stainless Steel
Contacts:	Fine Silver	Fine Silver	Fine Silver
Variants:	Engraved Button details on request	Engraved Button details on request	Engraved Button details on request
<b>RoHS</b>	Compliant	Compliant	Compliant